



PATIENT LIFTERS AND SLINGS

Mobile Patient Lifters and Slings designed for a range of environments from community to facility



LIFTER MODELS

- Aidacare Aspire A150F
- Aidacare Aspire A205
- Aidacare Aspire 200
- Aidacare Aspire A320

STANDER MODELS

- Aidacare Aspire A200S
- Aidacare Aspire 200S

OPTIONS

- Aidacare Aspire In-Line Weigh Scale
- Manual Pivot Frame

SLING MODELS

- Deluxe General Purpose
- Deluxe General Purpose with Head Support
- Deluxe Hygiene Access
- Deluxe Hygiene Access with Head Support
- Deluxe Hammock with Head Support
- Deluxe All Day
- Deluxe Standing

www.aidacarelifters.com.au

1300 133 120





FOLDING LIFTER - ALUMINIUM

The Aidacare Aspire A150F is a lightweight and portable folding patient lifter designed for home and community environments.



FOLDS FOR TRANSPORT AND STORAGE

Folds quickly and conveniently for storage or transport in the boot of the car



ERGONOMIC HANDSET

The latest slimline technology from Linak fits neatly in the hand with an intuitive control panel. Battery and service indicator lights assist with service scheduling



OFF SET LEG DESIGN

Provides additional accessibility around chairs and furniture in the home



LEG FUNCTION

Simple foot operation to open or close legs for lifting stability or accessibility

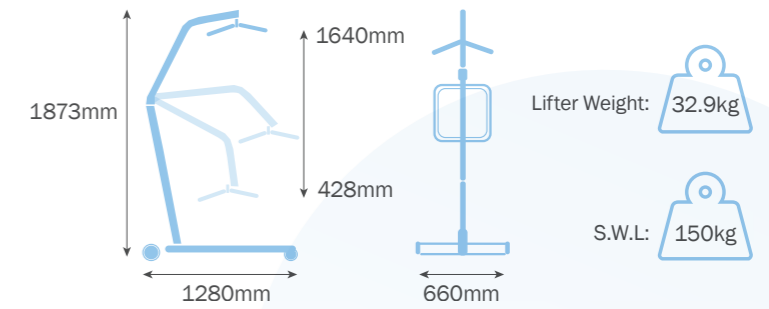


Need a Sling?

Find the correct sling for your manual handling scenario on page 16



Quick Tech Specs



LSS390600 See page 14 for detailed specs

Lifter Weight: 32.9kg
S.W.L.: 150kg

QUICK RELEASE YOKE ATTACHMENT

One touch release and attach mechanism, designed for the busy caregiver. Padded yoke for added patient safety



BUILD QUALITY

Strong powder coated aluminium frame with industry leading Linak electronics and warranty provision



SAFETY

Critical features include emergency stop button, emergency lowering and anti-entrapment technology, with both patient and caregiver safety at heart



INTELLIGENT DIAGNOSTICS

State of the art Linak Jumbo Care control system. Tracks usage and service requirements for safety and compliance



QUALITY CASTORS

2 x 75mm front castors for maximum under bed clearance and accessibility.
2 x 100mm rear locking castors for safety and manoeuvrability





PATIENT LIFTER - ALUMINIUM

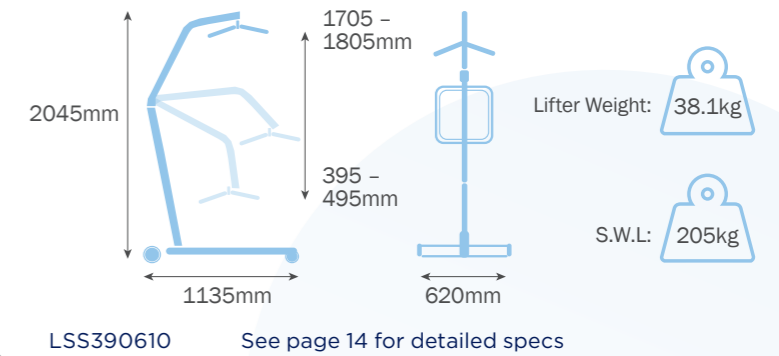
The Aidacare Aspire A205 is a compact and versatile aluminium mobile lifter with powered legs that is ideal for home, community and facility environments.

Need a Sling?

Find the correct sling for your manual handling scenario on page 16



Quick Tech Specs



TRANSPORTATION OR STORAGE

Is quick and convenient with tool free disassembly



ERGONOMIC HANDSET

The latest slimline technology from Linak fits neatly in the hand with an intuitive control panel. Battery and service indicator lights assist with service scheduling



ADJUSTABLE HEIGHT

Three adjustable height settings provides the caregiver with the flexibility to adjust the height range to suit the specific lift and patient scenario



POWERED LEG FUNCTION

Opens and closes the legs for lifting stability or accessibility



Design Upgraded for increased SWL

QUICK RELEASE YOKE ATTACHMENT

One touch release and attach mechanism, designed for the busy caregiver. Padded yoke for added patient safety



BUILD QUALITY

Strong powder coated aluminium frame with industry leading Linak electronics and warranty provision



SAFETY

Critical features include emergency stop button, emergency lowering and anti-entrapment technology, with both patient and caregiver safety at heart



INTELLIGENT DIAGNOSTICS

State of the art Linak Jumbo Care control system. Tracks usage and service requirements for safety and compliance



QUALITY CASTORS

2 x 75mm front castors for maximum under bed clearance and accessibility.
2 x 100mm rear locking castors for safety and manoeuvrability





PATIENT LIFTER - STEEL

A robust workhorse, the Aidacare Aspire 200 is designed to meet the rigorous demands of professional and facility environments.

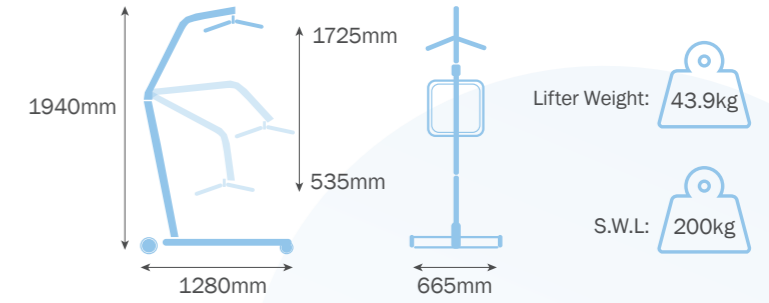


Need a Sling?

Find the correct sling for your manual handling scenario on page 16



Quick Tech Specs



LSS390620 See page 14 for detailed specs



ERGONOMIC HANDLES

Provide multiple grip points to suit carers of different heights and strengths



ERGONOMIC HANDSET

The latest slimline technology from Linak fits neatly in the hand with an intuitive control panel. Battery and service indicator lights assist with service scheduling



POWERED LEG FUNCTION

Opens and closes legs for lifting stability or accessibility

QUICK RELEASE YOKE ATTACHMENT

One touch release and attach mechanism, designed for the busy caregiver. Padded yoke for added patient safety



BUILD QUALITY

Strong powder coated steel frame with industry leading Linak electronics and warranty provision



SAFETY

Critical features include emergency stop button, emergency lowering and anti-entrapment technology, with both patient and caregiver safety at heart



INTELLIGENT DIAGNOSTICS

State of the art Linak Jumbo Care control system. Tracks usage and service requirements for safety and compliance



QUALITY CASTORS

2 x 75mm front castors for maximum under bed clearance and accessibility.
2 x 100mm rear locking castors for safety and manoeuvrability





BARIATRIC LIFTER - ALUMINIUM

The Aidacare Aspire A320 will exceed expectations even in the most demanding clinical environments. Its broad base and ample patient clearance compliments the substantial 320kg safe working load.

Need a Sling?

Find the correct sling for your manual handling scenario on page 16

Quick Tech Specs

LSS390630 See page 15 for detailed specs

Lifter Weight: 63kg

S.W.L: 320kg



ERGONOMIC HANDLES AND SUPPORT ARMS

Provide multiple grip points to suit carers of different heights and strengths. Folding support arms assist with stability or mobility but can also be folded out of the way



ERGONOMIC HANDSET

The latest slimline technology from Linak fits neatly in the hand with an intuitive control panel. Battery and service indicator lights assist with service scheduling



ADJUSTABLE HEIGHT

Three adjustable height settings provides the caregiver with the flexibility to adjust the height range to suit the specific lift and patient scenario



POWERED LEG FUNCTION

Opens and closes the legs for lifting stability or accessibility



QUICK RELEASE 4 POINT YOKE

Padded 4 point yoke for added patient safety. One touch release and attach mechanism, designed for the busy caregiver



BUILD QUALITY

Reinforced heavy duty aluminium frame with industry leading Linak electronics and warranty provision



SAFETY

Critical features include emergency stop button, emergency lowering and anti-entrapment technology, with both patient and caregiver safety at heart



INTELLIGENT DIAGNOSTICS

State of the art Linak Jumbo Care control system. Tracks usage and service requirements for safety and compliance



QUALITY CASTORS

2 x 100mm front castors for reduced rolling resistance under high load.
2 x 125mm rear locking castors for safety and manoeuvrability





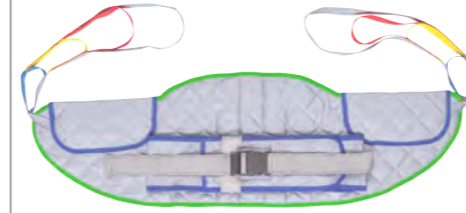
PATIENT STANDER - ALUMINIUM

The Aidacare Aspire A200S is a compact, lightweight and manoeuvrable standing lifter ideal for home, community and facility environments.

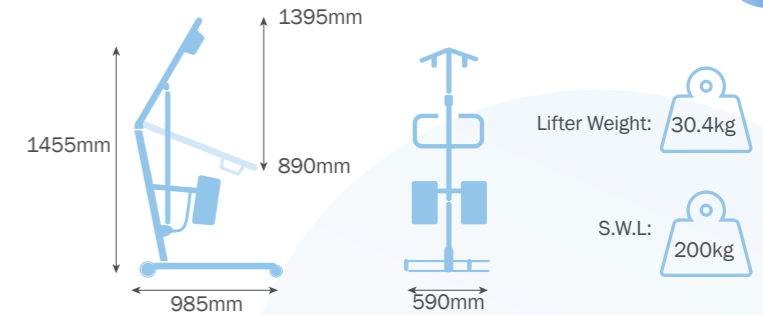


Need a Sling?

Find the correct sling for your manual handling scenario on page 16



Quick Tech Specs



LSS390640 See page 15 for detailed specs

BUILD QUALITY

Strong powder coated aluminium frame with industry leading Linak electronics and warranty provision



SAFETY

Critical features include emergency stop button, emergency lowering and anti-entrapment technology, with both patient and caregiver safety at heart



ADJUSTABLE PADDED LEGRESTS

Provide comfort and support during transfers and can be adjusted to suit the patient



INTELLIGENT DIAGNOSTICS

State of the art Linak Jumbo Care control system. Tracks usage and service requirements for safety and compliance



QUALITY CASTORS

2 x 75mm front castors for maximum under bed clearance and accessibility.
 2 x 75mm rear locking castors for safety and manoeuvrability



ADJUSTABLE DEPTH YOKE

Yoke is depth adjustable for optimal patient fit



ERGONOMIC HANDLES

Provide multiple grip points to suit carers of different heights and strengths



ERGONOMIC HANDSET

The latest slimline technology from Linak fits neatly in the hand with an intuitive control panel. Battery and service indicator lights assist with service scheduling



POWERED LEG FUNCTION

Opens and closes legs for lifting stability or accessibility





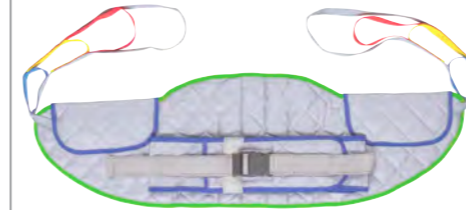
PATIENT STANDER - STEEL

The Aidacare Aspire 200S is a robust and durable steel standing lifter capable in the most demanding facility environments.

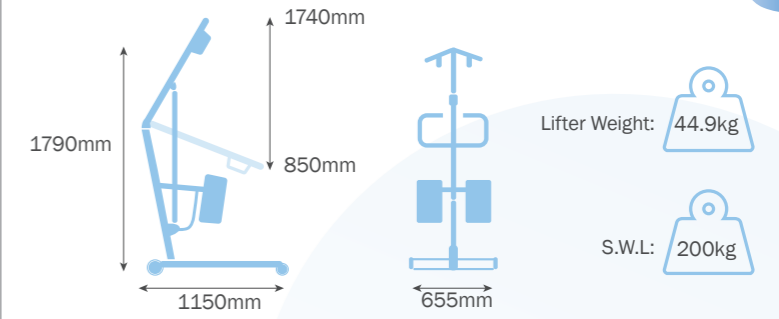


Need a Sling?

Find the correct sling for your manual handling scenario on page 16



Quick Tech Specs



LSS390650 See page 15 for detailed specs

BUILD QUALITY

Strong powder coated steel frame with industry leading Linak electronics and warranty provision



SAFETY

Critical features include emergency stop button, emergency lowering and anti-entrapment technology, with both patient and caregiver safety at heart



ADJUSTABLE PADDED LEGRESTS

Provide comfort and support during transfers and can be adjusted to suit the patient



INTELLIGENT DIAGNOSTICS

State of the art Linak Jumbo Care control system. Tracks usage and service requirements for safety and compliance



QUALITY CASTORS

2 x 75mm front castors for maximum under bed clearance and accessibility.
2 x 100mm locking rear castors for improved manoeuvrability



BULLHORN LIFTING BOOM

Offset patient handles provide stability and 6 sling attachment points give the carer flexibility to perform the optimal lift in any scenario



ERGONOMIC HANDLES

Provide multiple grip points to suit carers of different heights and strengths



ERGONOMIC HANDSET

The latest slimline technology from Linak fits neatly in the hand with an intuitive control panel. Battery and service indicator lights assist with service scheduling




POWERED LEG FUNCTION

Opens and closes legs for lifting stability or accessibility

Technical Specifications




	150F	A205	200
Image			
Product Code	LSS390600	LSS390610	LSS390620
Safe Working Load (S.W.L)	150kg	205kg	200kg
Base Length	1280mm (1220mm folded)	1135mm	1280mm
External Base Width	660-1040mm (615mm folded)	620-1095mm	665-980mm
Internal Base Width	580-950mm	547-1015mm	580-900mm
Base Width Adjustment	Manual	Electric	Electric
Base Height / Under Bed Clearance	133mm	115mm	110mm
Minimum Height of Spreader Bar **	428mm	395-495mm	535mm
Maximum Height of Spreader Bar**	1640mm	1705-1805mm	1725mm
Lifter Weight	32.9kg	38.1kg	43.9kg
Under Base Height	72mm	50mm	50mm
Maximum Overall Height	1873mm (395mm folded)	2045mm	1940mm
Front Castor Diameter	75mm	75mm	75mm
Rear Locking Castor Diameter	100mm	100mm	100mm
Turning Radius	1365mm	1235mm	1385mm
Weight Of Heaviest Part (Base Assembly)	32.9kg	19.6kg	23.0kg
Handle Height	1000mm	1050-1150mm	1050mm
Warranty - Frame	5 Years	5 Years	5 Years
Warranty - Electronics	3 Years	3 Years	3 Years
Warranty - Battery*	1 Year	1 Year	1 Year

ACCESSORIES

Inline Weigh Scale (S.W.L 300kg) 	LSS390680	LSS390680	LSS390680
Manual Pivot Frame (S.W.L 200kg)	LSS390670	LSS390670	LSS390670

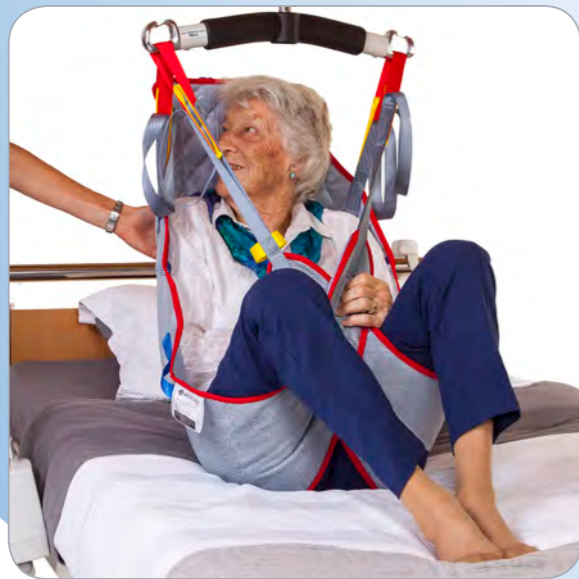
* Includes Battery Pack and Handset

** Three mast height settings are possible hence the range of minimum and maximums

A320	A200S	200S
		
LSS390630	LSS390640	LSS390650
320kg	200kg	200kg
1505mm	985mm	1150mm
765-1190mm	590-915mm	655-1016mm
640-1065mm	490-815mm	575-936mm
Electric	Electric	Electric
155mm	110mm	110mm
575-675mm	890mm	890mm
1860-1960mm	1395mm	1740mm
63kg	30.4kg	44.9kg
85mm	50mm	50mm
2165mm	1455mm	1790mm
100mm	75mm	75mm
125mm	75mm	100mm
1590mm	1100mm	1255mm
38.9kg	16.6kg	25.1kg
1200-1300mm	1000mm	1030mm
5 Years	5 Years	5 Years
3 Years	3 Years	3 Years
1 Year	1 Year	1 Year

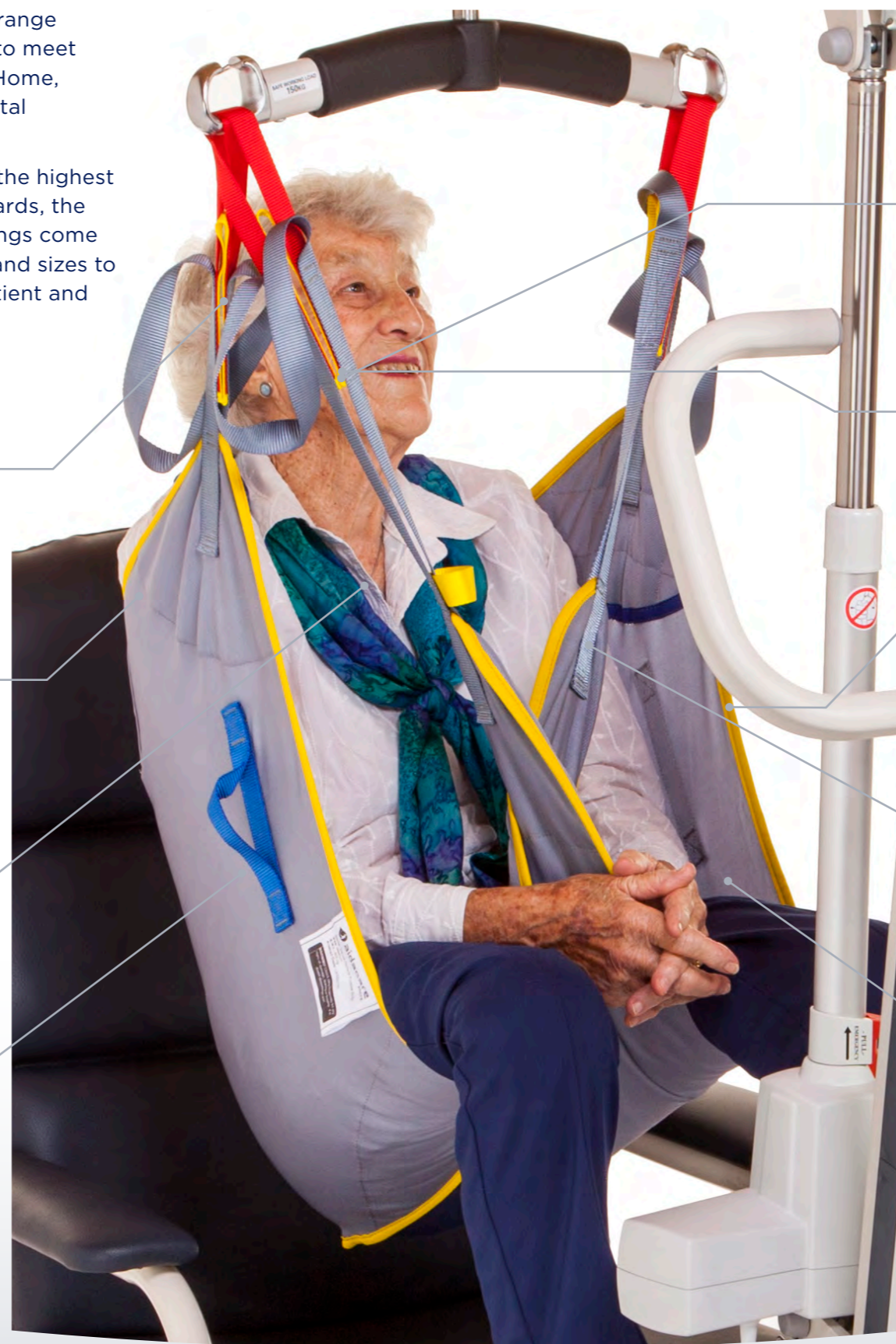
LSS390680	Not Available	Not Available
LSS390670	Not Available	Not Available

To view our comprehensive list of spare parts visit www.aidacarelifters.com.au



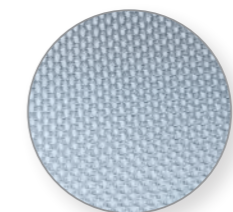
The Aidacare Aspire range of slings is designed to meet patient needs in the Home, Aged Care and Hospital environments.

Manufactured under the highest quality control standards, the extremely durable slings come in a range of fabrics and sizes to suit the individual patient and caregiver's needs.

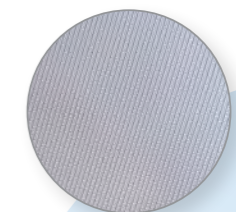


FABRICS:

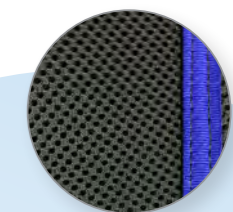
POLYESTER MESH



POLYESTER SOLID



SUPER SOFT



SERIAL NUMBERED / EMBROIDERED LABEL

have embroidered labels and a unique serial number to maintain traceability and assist with compliance obligations.



SERVICE AND MAINTENANCE

Service record labels ensure you can record and identify service history



COLOUR CODED SIZING

All slings have reinforced edging that is colour coded for each size available - making them easy to identify



PATIENT DIGNITY

Option to position strap around the outside of legs for more discreet positioning (applicable models)



PATIENT SAFETY

Smart features such as velcro/buckle combinations for more secure positioning and greater patient safety (applicable models)



WARRANTY

The Aspire sling range all come with a 12 month warranty



DURABLE

Loop webbing has a breaking strain in excess of one tonne and is designed so that it will not tangle or "cork-screw" during cleaning



QUALITY

Manufactured in the UK using European materials, computer guided stitching and CNC fabric cutting



PATIENT COMFORT

Additional padding in weight bearing areas.



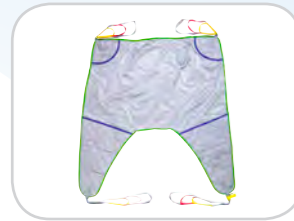
MANOEUVRING HANDLES

Thoughtfully positioned handles provide carers with a secure grip point to aid the transfer

EASY CLEAN

Machine washable up to 85°C

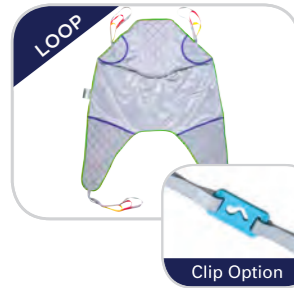
DELUXE GENERAL PURPOSE SLING



Code	Description	Edging	S.W.L
LSS390700	Deluxe General Purpose Sling - Polyester - Loop - Small	●	200kg
LSS390705	Deluxe General Purpose Sling - Polyester - Loop - Medium	●	200kg
LSS390710	Deluxe General Purpose Sling - Polyester - Loop - Large	●	300kg
LSS390715	Deluxe General Purpose Sling - Polyester - Loop - Extra Large	●	300kg
LSS390716	Deluxe General Purpose Sling - Mesh - Loop - Small	●	200kg
LSS390717	Deluxe General Purpose Sling - Mesh - Loop - Medium	●	200kg
LSS390718	Deluxe General Purpose Sling - Mesh - Loop - Large	●	300kg
LSS390719	Deluxe General Purpose Sling - Mesh - Loop - Extra Large	●	300kg

Deluxe General Purpose Sling is registered in the ARTG, AUST R ARTG 224718

DELUXE GENERAL PURPOSE SLING WITH HEAD SUPPORT



Code	Description	Edging	S.W.L
LSS390740	Deluxe General Purpose Sling with Head Support - Polyester - Loop - Small	●	200kg
LSS390745	Deluxe General Purpose Sling with Head Support - Polyester - Loop - Medium	●	200kg
LSS390750	Deluxe General Purpose Sling with Head Support - Polyester - Loop - Large	●	300kg
LSS390755	Deluxe General Purpose Sling with Head Support - Polyester - Loop - Extra Large	●	300kg
LSS390756	Deluxe General Purpose Sling with Head Support - Mesh - Loop - Small	●	200kg
LSS390757	Deluxe General Purpose Sling with Head Support - Mesh - Loop - Medium	●	200kg
LSS390758	Deluxe General Purpose Sling with Head Support - Mesh - Loop - Large	●	300kg
LSS390759	Deluxe General Purpose Sling with Head Support - Mesh - Loop - Extra Large	●	300kg
LSS390900	Deluxe General Purpose Sling with Head Support - Polyester - Clip - Small	●	200kg
LSS390905	Deluxe General Purpose Sling with Head Support - Polyester - Clip - Medium	●	200kg
LSS390910	Deluxe General Purpose Sling with Head Support - Polyester - Clip - Large	●	300kg
LSS390915	Deluxe General Purpose Sling with Head Support - Polyester - Clip - Extra Large	●	300kg

Deluxe General Purpose Sling is registered in the ARTG, AUST R ARTG 224718

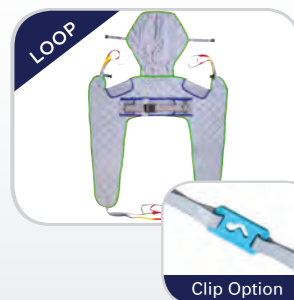
DELUXE HYGIENE ACCESS SLING



Code	Description	Edging	S.W.L
LSS390760	Deluxe Hygiene Access Sling - Polyester - Loop - Small	●	200kg
LSS390765	Deluxe Hygiene Access Sling - Polyester - Loop - Medium	●	200kg
LSS390770	Deluxe Hygiene Access Sling - Polyester - Loop - Large	●	300kg
LSS390775	Deluxe Hygiene Access Sling - Polyester - Loop - Extra Large	●	300kg

Deluxe Hygiene Access Sling is registered in the ARTG, AUST R ARTG 224719

DELUXE HYGIENE ACCESS SLING WITH HEAD SUPPORT



Code	Description	Edging	S.W.L
LSS390780	Deluxe Hygiene Access Sling with Head Support - Polyester - Loop - Small	●	200kg
LSS390785	Deluxe Hygiene Access Sling with Head Support - Polyester - Loop - Medium	●	200kg
LSS390790	Deluxe Hygiene Access Sling with Head Support - Polyester - Loop - Large	●	300kg
LSS390795	Deluxe Hygiene Access Sling with Head Support - Polyester - Loop - Extra Large	●	300kg
LSS390940	Deluxe Hygiene Access Sling with Head Support - Polyester - Clip - Small	●	200kg
LSS390945	Deluxe Hygiene Access Sling with Head Support - Polyester - Clip - Medium	●	200kg
LSS390950	Deluxe Hygiene Access Sling with Head Support - Polyester - Clip - Large	●	300kg
LSS390955	Deluxe Hygiene Access Sling with Head Support - Polyester - Clip - Extra Large	●	300kg

Deluxe Hygiene Access Sling is registered in the ARTG, AUST R ARTG 224719

DELUXE HAMMOCK SLING WITH HEAD SUPPORT



Code	Description	Edging	S.W.L
LSS390800	Deluxe Hammock Sling with Head Support - Super Soft - Loop - Small	●	200kg
LSS390805	Deluxe Hammock Sling with Head Support - Super Soft - Loop - Medium	●	200kg
LSS390810	Deluxe Hammock Sling with Head Support - Super Soft - Loop - Large	●	300kg
LSS390815	Deluxe Hammock Sling with Head Support - Super Soft - Loop - Extra Large	●	300kg
LSS390860	Deluxe Hammock Sling with Head Support - Mesh - Loop - Small	●	200kg
LSS390865	Deluxe Hammock Sling with Head Support - Mesh - Loop - Medium	●	200kg
LSS390870	Deluxe Hammock Sling with Head Support - Mesh - Loop - Large	●	300kg
LSS390875	Deluxe Hammock Sling with Head Support - Mesh - Loop - Extra Large	●	300kg

Deluxe Hammock Sling is registered in the ARTG, AUST R ARTG 224720

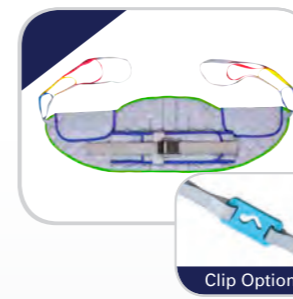
DELUXE ALL DAY SLING



Code	Description	Edging	S.W.L
LSS390880	Deluxe All Day Sling - Parasilk - Loop - Small	●	200kg
LSS390885	Deluxe All Day Sling - Parasilk - Loop - Medium	●	200kg
LSS390890	Deluxe All Day Sling - Parasilk - Loop - Large	●	300kg
LSS390895	Deluxe All Day Sling - Parasilk - Loop - Extra Large	●	300kg
LSS390960	Deluxe All Day Sling - Parasilk - Clip - Small	●	200kg
LSS390965	Deluxe All Day Sling - Parasilk - Clip - Medium	●	200kg
LSS390970	Deluxe All Day Sling - Parasilk - Clip - Large	●	300kg
LSS390975	Deluxe All Day Sling - Parasilk - Clip - Extra Large	●	300kg

Deluxe All Day Sling is registered in the ARTG, AUST R ARTG 224720

DELUXE STANDING SLING



Code	Description	Edging	S.W.L
LSS390720	Deluxe Padded Standing Sling - Polyester - Loop - Small	●	200kg
LSS390725	Deluxe Padded Standing Sling - Polyester - Loop - Medium	●	200kg
LSS390730	Deluxe Padded Standing Sling - Polyester - Loop - Large	●	300kg
LSS390735	Deluxe Padded Standing Sling - Polyester - Loop - Extra Large	●	300kg
LSS390920	Deluxe Padded Standing Sling - Polyester - Clip - Small	●	200kg
LSS390925	Deluxe Padded Standing Sling - Polyester - Clip - Medium	●	200kg
LSS390930	Deluxe Padded Standing Sling - Polyester - Clip - Large	●	300kg
LSS390935	Deluxe Padded Standing Sling - Polyester - Clip - Extra Large	●	300kg

Deluxe Standing Sling is registered in the ARTG, AUST R ARTG 224698

To view our comprehensive range of slings (including pivot slings) please visit www.aidacarelifters.com.au

ASSOCIATED RANGE OVERVIEW

aspire
WHEELCHAIRS

aspire for...
mobility
comfort
style

RANGE

- Everest Everest HD
- Transit
- Assist
- Relax
- Lite
- Life Transit
- James & Coe Transporter

www.aspirewheelchairs.com.au
1300 133 120

aspire
WALKERS

aspire for...
mobility
comfort
style

ASPIRE WALKER RANGE

- Classic Walker Classic 8*
- Classic Walker Classic 8*
- Classic Walker Mini
- Classic Walker Deluxe
- Classic Walker XL
- Classic Walker Push Down
- Classic Walker Push Down
- Health Tray Walker
- Mini 6
- XL

www.aspirewalkers.com.au
1300 133 120



Aidacare Sling Auditing

Old Slings? Don't risk it. An old, worn out or faulty sling could be a significant safety risk for your organisation

Aidacare's Sling Audit Program can assist you to ensure your sling inventory is in safe working order at all times.

Periodic sling audits are now a mandatory accreditation requirement. Ask us how we can help you manage the risk in this area of your business.

1300 133 120
www.aidacare.com.au



www.aidacarelifters.com.au
1300 133 120

Distributed by:

ABBR01.33 110417